

The cover features a background of an American flag with stars and stripes. In the foreground, a row of ten different handgun bullet types is displayed on a white surface. The bullets vary in shape, including hollow points, soft points, and pointed bullets.

SIERRA

Handgun Reloading Manual

3rd Edition

25 Auto (ACP), continued

.251 50 gr. FMJ

Cartridge OAL: .900"

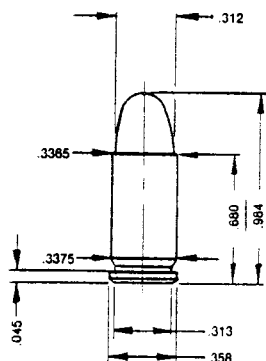


| Powder ¹ / Velocity→ | 550 | 600 | 650 | 700 | 750 | 800 | 850 |
|---------------------------------|-----------|-----------|-----------|-----------|-----------|-----------|-----------|
| Bullseye | 0.9 | 1.0 | 1.1 | 1.2 | 1.3 | 1.4 | |
| 231 | 1.0 | 1.1 | 1.2 | 1.3 | 1.4 | 1.5 | 1.6 |
| HP-38 | | 0.8 | 0.9 | 1.0 | 1.1 | 1.2 | 1.3 |
| Red Dot | | 0.9 | 1.0 | 1.1 | 1.2 | 1.3 | |
| 700X | | 0.8 | 0.9 | 1.0 | 1.1 | 1.1 | |
| Unique | | 1.1 | 1.3 | 1.4 | 1.5 | 1.6 | |
| <i>Energy/ft. lbs.</i> | <i>34</i> | <i>40</i> | <i>47</i> | <i>54</i> | <i>62</i> | <i>71</i> | <i>80</i> |

Accuracy Load: 231 / 1.4 grs.; 750 fps / 62 ft. lbs.

INDICATES MAXIMUM LOAD — USE CAUTION
LOADS LESS THAN MINIMUM CHARGES SHOWN ARE NOT RECOMMENDED.

32 Auto (ACP)



Test Specifications

Firearm used: Walther Model PP
Bbl. Length / Twist: 3.86" / 1-16"

Test Components

Cases: Winchester
Trim-to Length: .675"
Primers: CCI-500

Sierra Bullets Used

.312 71 gr. FMJ

Remarks:

The .32 ACP round was John Moses Browning's first successful pistol/cartridge design and was introduced in 1899. Colt, a few years later, in 1903, introduced a slab-sided pocket pistol chambered for this semi-rimmed cartridge and since then virtually all pistol manufacturers have offered their wares in this caliber.

Because of its relatively low power and recoil, the .32 ACP, or more commonly known in Europe as the 7.65 mm, has found a home in small, inexpensive pistols.

As a self-protection cartridge, the .32 ACP is the minimum size that should be considered by a handgunner. Delegated by tradition as a pocket pistol or house gun, the .32 ACP when properly handloaded can be effectively used on small game animals. Due to its light recoil, the .32 ACP has long been a favorite plinker and an excellent "training" cartridge for new shooters.

Pistol barrel diameters vary from .308" to .314" but most modern-day handguns are best served with Sierra's 71-grain .312" diameter full metal jacket bullet. Like any autoloading pistol cartridge, strict attention to loading data is a must for trouble-free operation and optimum accuracy.

32 Auto (ACP), *continued*

.312 71 gr. FMJ
Cartridge OAL: .978"

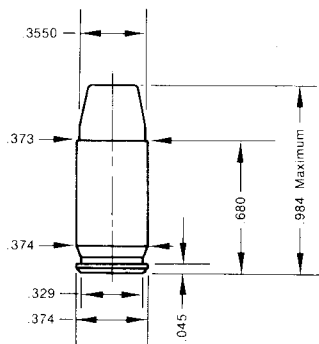


| Powder/Velocity→ | 600 | 650 | 700 | 750 | 800 | 850 | 900 |
|------------------------|-----------|-----------|-----------|-----------|------------|------------|------------|
| Bullseye | 1.5 | 1.7 | 1.9 | 2.0 | 2.1 | 2.2 | 2.3 |
| 231 | | | 1.9 | 2.1 | 2.2 | 2.3 | 2.4 |
| HP-38 | | | 1.6 | 1.9 | 2.1 | 2.3 | 2.5 |
| Red Dot | | 1.6 | 1.8 | 2.0 | 2.1 | 2.2 | 2.3 |
| 700X | | | 1.6 | 1.8 | 1.9 | 2.0 | 2.1 |
| Unique | 2.0 | 2.2 | 2.3 | 2.4 | 2.5 | 2.6 | 2.7 |
| <i>Energy/ft. lbs.</i> | <i>57</i> | <i>67</i> | <i>77</i> | <i>89</i> | <i>101</i> | <i>114</i> | <i>128</i> |

Accuracy Load: HP-38 / 2.3 grs.; 850 fps / 114 ft. lbs.
Hunting Load: Unique / 2.7 grs.; 900 fps / 128 ft. lbs.

INDICATES MAXIMUM LOAD — USE CAUTION
LOADS LESS THAN MINIMUM CHARGES SHOWN ARE NOT RECOMMENDED.

380 Auto (ACP)



Test Specifications

Firearm used: Walther PPK
Bbl. Length / Twist: 3¼" /1-16"

Test Components

Cases: Remington
Trim-to Length: .675"
Primers: CCI-500

Sierra Bullets Used

.355 90 gr. JHP
.355 95 gr. FMJ
.355 115 gr. JHP
.355 115 gr. FMJ

Remarks:

Typical performance for factory loads in this caliber averages around 955 fps at the muzzle and 190 foot-pounds of energy with a 95 gr. bullet. A wide variety of domestic and foreign-made autoloading pistols are chambered for the .380 and occasionally one encounters old military "auto's," such as the Browning Grande Modele, which have been converted to this caliber by means of bushing down the chambers to the proper .380 length.

The loading data given here are intended for use with typical pistols designed specifically for the .380 cartridge. With converted military arms, it may be necessary to load to slightly higher levels in order to assure reliable functioning. If such increases are made, the greatest possible caution should be employed.

The .380 case uses the small pistol primer. Trim length is .675 inches. Length over all of the loaded round may vary slightly, depending upon the magazine dimensions, but the suggested measurement is .984 inch, to be modified as necessary for reliable feeding.

As with any firearm used for defensive purposes, it is prudent to conduct conclusive firing tests to establish the degree of accuracy and reliability of operation before placing any reliance upon it, with either reloads or factory ammunition.

Customary bullet diameter for the .380 Automatic is .355 to .3565 inch. Dimension of reloading dies must be such as to assure a tight grip of the case neck upon the base of the bullet, or the bullet may be driven back into the case, by recoil, resulting in a malfunction of the mechanism.

380 Auto (ACP), *continued*

.355 90 gr. JHP

Cartridge OAL: .930"



| Powder ¹ /Velocity [→] | 750 | 800 | 850 | 900 | 950 | 1000 |
|--|------------|------------|------------|------------|------------|------------|
| Bullseye | 2.5 | 2.7 | 2.9 | 3.0 | | |
| 231 | | 2.9 | 3.0 | 3.2 | | |
| 700X | 2.2 | 2.4 | 2.7 | 2.9 | 3.2 | |
| Unique | | 3.2 | 3.5 | 3.8 | 4.2 | 4.6 |
| SR 7625 | 3.3 | 3.5 | 3.7 | 3.8 | | |
| <i>Energy/ft. lbs.</i> | <i>112</i> | <i>128</i> | <i>144</i> | <i>162</i> | <i>180</i> | <i>200</i> |

Accuracy Load: Unique / 4.2 grs.; 950 fps / 180 ft. lbs.

Hunting Load: Unique / 4.2 grs.; 950 fps / 180 ft. lbs.

.355 95 gr. FMJ

Cartridge OAL: .960"



| Powder ¹ /Velocity [→] | 750 | 800 | 850 | 900 | 950 | 1000 |
|--|------------|------------|------------|------------|------------|------------|
| Bullseye | 2.6 | 2.8 | 3.0 | 3.2 | 3.4 | |
| HP-38 | 2.6 | 2.8 | 3.0 | 3.2 | 3.3 | |
| 231 | 2.8 | 3.0 | 3.2 | 3.3 | 3.4 | |
| Trap-100 | 3.1 | 3.5 | 3.9 | 4.2 | 4.5 | |
| Red Dot | 2.7 | 2.9 | 3.0 | 3.1 | | |
| 700X | 2.5 | 2.6 | 2.7 | 2.8 | 2.9 | |
| Unique | 3.1 | 3.3 | 3.5 | 3.7 | 3.9 | 4.0 |
| SR 7625 | 3.0 | 3.2 | 3.3 | 3.5 | | |
| HS6 | 4.4 | 4.6 | 4.8 | 5.0 | 5.2 | 5.4 |
| Herco | 3.5 | 3.8 | 4.1 | 4.4 | 4.6 | 4.8 |
| <i>Energy/ft. lbs.</i> | <i>119</i> | <i>135</i> | <i>152</i> | <i>171</i> | <i>190</i> | <i>211</i> |

Accuracy Load: Unique / 3.9 grs.; 950 fps / 190 ft. lbs.

Hunting Load: Unique / 3.9 grs.; 950 fps / 190 ft. lbs.

INDICATES MAXIMUM LOAD — USE CAUTION
LOADS LESS THAN MINIMUM CHARGES SHOWN ARE NOT RECOMMENDED.

380 Auto (ACP), *continued*

.355 115 gr. JHP

Cartridge OAL: .930"



.355 115 gr. FMJ

Cartridge OAL: .984"



| Powder:/Velocity → | 600 | 650 | 700 | 750 | 800 | 850 |
|------------------------|-----------|------------|------------|------------|------------|------------|
| Bullseye | 1.8 | 2.0 | 2.1 | | | |
| 231 | 2.0 | 2.1 | 2.3 | | | |
| 700X | 1.8 | 1.9 | 2.1 | 2.2 | 2.4 | 2.6 |
| Unique | 2.7 | 2.9 | 3.0 | 3.2 | 3.4 | 3.5 |
| SR 7625 | | | | 2.6 | 2.9 | 3.2 |
| <i>Energy/ft. lbs.</i> | <i>92</i> | <i>108</i> | <i>125</i> | <i>144</i> | <i>163</i> | <i>184</i> |

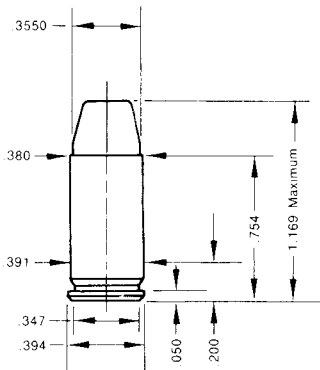
Accuracy Load: Unique / 3.4 grs.; 800 fps / 163 ft. lbs.

Hunting Load: Unique / 3.4 grs.; 800 fps / 163 ft. lbs.

INDICATES MAXIMUM LOAD — USE CAUTION

LOADS LESS THAN MINIMUM CHARGES SHOWN ARE NOT RECOMMENDED.

9mm Luger



Firearm used: Colt Gov't Model MKIV
Bbl. Length/Twist: 5" / 1-16"

Cases: Super Vel
Trim-to Length: .750"
Primers: CCI-500

.355 90 gr. JHP
.355 95 gr. FMJ
.355 115 gr. JHP
.355 115 gr. FMJ
.355 125 gr. FMJ
.355 130 gr. FMJ

Remarks:

The 9mm Luger is sometimes termed 9mm Parabellum, a Latin word meaning "for war". The cartridge is of German origin and was first used by their military services as early as 1904. The cartridge has seen widespread use in Europe since that time.

The popularity of the 9mm has increased with its adoption for use in our U.S. military pistols. It is also finding more use by law enforcement agencies. Greater availability of lower cost factory ammunition and components from both foreign and domestic sources has also contributed to its growth.

Unusually broad manufacturing tolerances seem to prevail with the 9mm Luger cases. You may have difficulty inserting certain makes into many standard 9mm shell holders. There is also considerable variation in thickness of brass at the case neck. Some makes are so thin in the neck that it is difficult to grip the bullet base properly. Others are so much thicker that the resulting reload may fail to chamber in certain guns that have "minimum" chambers. The best solution is to sort the cases by manufacturer and deal with each group as necessity dictates.

Despite the foregoing comment, the 9mm Luger can be reloaded with outstanding results and the many excellent arms chambered for this cartridge can bring the shooter much satisfaction.

9mm Luger, *continued*

.355 90 gr. JHP

Cartridge OAL: 1.010"



| Powder/Velocity→ | 1200 | 1250 | 1300 | 1350 | 1400 | 1450 |
|------------------------|------------|------------|------------|------------|------------|------------|
| Bullseye | | | 4.2 | 4.5 | 4.7 | 5.0 |
| 231 | | 4.9 | 5.2 | 5.5 | 5.8 | 6.2 |
| 700X | | | | 4.7 | 5.1 | 5.5 |
| PB | | | 5.2 | 5.4 | 5.7 | 6.1 |
| Unique | | | 5.5 | 6.2 | 6.9 | 7.5 |
| SR 7625 | 4.7 | 5.2 | 5.4 | 5.8 | 6.2 | |
| Herco | | | | 7.0 | 7.4 | 7.8 |
| No. 7 | 8.1 | 8.6 | 9.0 | 9.4 | | |
| Blue Dot | | | 8.0 | 8.7 | 9.4 | 10.0 |
| <i>Energy/ft. lbs.</i> | <i>288</i> | <i>312</i> | <i>338</i> | <i>364</i> | <i>392</i> | <i>420</i> |

Accuracy Load: 231 / 5.5 grs.; 1350 fps / 364 ft. lbs.

Hunting Load: Blue Dot / 10.0 grs.; 1450 fps / 420 ft. lbs.

.355 95 gr. FMJ

Cartridge OAL: 1.020"



| Powder/Velocity→ | 1150 | 1200 | 1250 | 1300 | 1350 | 1400 |
|------------------------|------------|------------|------------|------------|------------|------------|
| Bullseye | 4.5 | 4.8 | 5.0 | | | |
| 231 | 4.7 | 5.1 | 5.4 | 5.7 | 6.0 | |
| Red Dot | 4.4 | 4.6 | 4.8 | 5.0 | 5.1 | |
| 700X | 4.0 | 4.3 | 4.5 | 4.7 | 4.9 | |
| Unique | 5.4 | 5.8 | 6.1 | 6.4 | 6.7 | 7.0 |
| SR 7625 | 4.8 | 5.1 | 5.4 | 5.7 | 6.0 | |
| HS6 | 6.7 | 7.0 | 7.2 | 7.4 | 7.6 | 7.8 |
| Herco | | 5.6 | 6.0 | 6.4 | 6.8 | 7.2 |
| No. 7 | 7.9 | 8.3 | 8.7 | 9.2 | | |
| Blue Dot | 7.9 | 8.3 | 8.7 | 9.0 | 9.3 | 9.6 |
| <i>Energy/ft. lbs.</i> | <i>279</i> | <i>304</i> | <i>330</i> | <i>356</i> | <i>384</i> | <i>413</i> |

Accuracy Load: 231 / 5.7 grs.; 1300 fps / 356 ft. lbs.

Hunting Load: Blue Dot / 9.6 grs.; 1400 fps / 413 ft. lbs.

INDICATES MAXIMUM LOAD — USE CAUTION
LOADS LESS THAN MINIMUM CHARGES SHOWN ARE NOT RECOMMENDED.

9mm Luger, continued

.355 115 gr. JHP

Cartridge OAL: 1.015"



.355 115 gr. FMJ

Cartridge OAL: 1.090"



| Powder! / Velocity → | 1050 | 1100 | 1150 | 1200 | 1250 | 1300 |
|------------------------|------------|------------|------------|------------|------------|------------|
| Bullseye | | | 3.9 | 4.3 | 4.7 | 4.9 |
| 231 | | 4.6 | 4.9 | 5.2 | 5.5 | |
| 700X | | | 4.0 | 4.3 | 4.7 | 5.1 |
| PB | | 4.4 | 4.7 | 5.0 | 5.2 | |
| Unique | | 5.0 | 5.2 | 5.6 | 6.0 | 6.4 |
| SR 7625 | 4.4 | 4.7 | 5.0 | 5.2 | | |
| Herco | | | 5.7 | 6.0 | 6.3 | 6.6 |
| No. 7 | | | 8.0 | 8.4 | 8.9 | |
| Blue Dot | | 6.9 | 7.3 | 7.7 | 8.1 | |
| <i>Energy/ft. lbs.</i> | <i>281</i> | <i>309</i> | <i>338</i> | <i>368</i> | <i>399</i> | <i>431</i> |

Accuracy Load: Unique / 5.6 grs.; 1200 fps / 368 ft. lbs.

Hunting Load: Herco / 6.3 grs.; 1250 fps / 399 ft. lbs.

.355 125 gr. FMJ

Cartridge OAL: 1.090"



| Powder! / Velocity → | 950 | 1000 | 1050 | 1100 | 1150 | 1200 |
|------------------------|------------|------------|------------|------------|------------|------------|
| Bullseye | 3.5 | 3.7 | 3.9 | 4.1 | 4.3 | 4.5 |
| 231 | 3.9 | 4.2 | 4.5 | 4.8 | 5.1 | |
| Red Dot | | 3.7 | 4.0 | 4.3 | 4.6 | |
| 700X | | 3.7 | 3.9 | 4.1 | 4.3 | 4.4 |
| Unique | | 4.1 | 4.6 | 5.1 | 5.5 | 5.9 |
| HS6 | 5.4 | 5.7 | 6.0 | 6.3 | 6.6 | |
| Herco | 4.5 | 4.8 | 5.1 | 5.4 | | |
| No. 7 | | | 7.5 | 7.9 | 8.3 | 8.7 |
| Blue Dot | 6.1 | 6.5 | 6.9 | 7.3 | 7.7 | 8.0 |
| <i>Energy/ft. lbs.</i> | <i>250</i> | <i>278</i> | <i>306</i> | <i>336</i> | <i>367</i> | <i>400</i> |

Accuracy Load: No. 7 / 8.3 grs.; 1150 fps / 367 ft. lbs.

Hunting Load: No. 7 / 8.7 grs.; 1200 fps / 400 ft. lbs.

INDICATES MAXIMUM LOAD — USE CAUTION

LOADS LESS THAN MINIMUM CHARGES SHOWN ARE NOT RECOMMENDED.

9mm Luger, *continued*

.355 130 gr. FMJ

Cartridge OAL: 1.120"



| Powder ¹ /Velocity→ | 900 | 950 | 1000 | 1050 | 1100 | 1150 |
|--------------------------------|------------|------------|------------|------------|------------|------------|
| Bullseye | 3.5 | 3.8 | 4.1 | 4.4 | | |
| 231 | | 4.0 | 4.4 | 4.8 | 5.1 | 5.4 |
| Red Dot | | 3.7 | 4.0 | 4.3 | 4.6 | |
| 700X | | | 3.7 | 4.0 | 4.4 | 4.7 |
| Unique | | 4.2 | 4.6 | 5.0 | 5.3 | 5.6 |
| SR 7625 | | | 4.1 | 4.5 | 4.8 | |
| HS6 | 5.4 | 5.7 | 6.0 | 6.3 | 6.5 | 6.7 |
| Herco | 4.2 | 4.6 | 4.9 | 5.2 | | |
| No. 7 | | | 7.5 | 7.8 | 8.1 | 8.4 |
| Blue Dot | 5.9 | 6.3 | 6.7 | 7.1 | 7.5 | 7.9 |
| <i>Energy/ft. lbs.</i> | <i>234</i> | <i>261</i> | <i>289</i> | <i>318</i> | <i>349</i> | <i>382</i> |

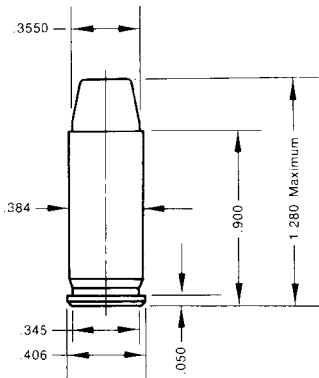
Accuracy Load: Unique / 5.0 grs.; 1050 fps / 318 ft. lbs.

Hunting Load: No. 7 / 8.4 grs.; 1150 fps / 382 ft. lbs.

INDICATES MAXIMUM LOAD — USE CAUTION

LOADS LESS THAN MINIMUM CHARGES SHOWN ARE NOT RECOMMENDED.

38 Super



Test Specifications

Firearm used: Colt Govt. Model

Bbl. Length / Twist: 5" / 1-16"

Test Components

Cases: Remington

Trim-to Length: .895"

Primers: CCI-500

Sierra Bullets Used

.355 90 gr. JHP

.355 95 gr. FMJ

.355 115 gr. JHP

.355 115 gr. FMJ

.355 125 gr. FMJ

.355 130 gr. FMJ

Remarks:

Identical in dimensions to the old .38 Automatic Colt Pistol (ACP), the .38 Super was introduced in the late Twenties for use in a specially designed version of Colt's Government Model 45 auto. Since the .38 Super cartridge is loaded to pressures much higher than those of the .38 ACP, great care must be taken to avoid using .38 Super ammunition in the older guns made for .38 ACP.

As with the 9mm Luger, considerable variation in neck thickness is encountered among different makes of brass cases. Remington-Peters cases were used in the tests for the accompanying data and gripped the bullets securely after processing through standard reloading dies. Cases by Winchester-Western have thinner necks and may require a degree of manipulation to obtain a secure grip with bullets of .355" diameter.

Sierra offers six bullets for the .38 Super, two jacketed hollow points and four in full metal jacket design. With Power Jacket design being a part of JHP construction, the 90 and 115 grain JHP bullets are suitable for use on small game. All Sierra bullets fed reliably through the action of the Colt pistol used in the tests. Although the .38 Super is a fine semi-automatic pistol round, it has never achieved the popularity as have other pistol rounds that do not equal the .38 Super's performance.

38 Super, continued

.355 90 gr. JHP

Cartridge OAL: 1.180"



| Powder ¹ /Velocity→ | 1200 | 1300 | 1350 | 1400 | 1450 | 1500 |
|--------------------------------|------------|------------|------------|------------|------------|------------|
| Bullseye | 5.0 | 5.6 | 5.8 | 6.1 | 6.4 | |
| 231 | 5.8 | 6.3 | 6.5 | 6.7 | | |
| PB | 5.5 | 6.3 | 6.8 | 7.1 | 7.4 | 7.7 |
| Unique | | 7.6 | 7.8 | 8.1 | | |
| HS6 | 7.4 | 8.0 | 8.3 | 8.6 | 8.9 | |
| SR 4756 | 8.3 | 8.8 | 9.0 | 9.3 | 9.7 | 10.1 |
| Blue Dot | | | 10.5 | 10.8 | 11.1 | 11.4 |
| <i>Energy/ft. lbs.</i> | <i>288</i> | <i>338</i> | <i>364</i> | <i>392</i> | <i>420</i> | <i>450</i> |

Accuracy Load: Unique / 8.1 grs.; 1400 fps / 392 ft. lbs.

Hunting Load: Blue Dot / 11.4 grs.; 1500 fps / 480 ft. lbs.

.355 95 gr. FMJ

Cartridge OAL: 1.210"



| Powder ¹ /Velocity→ | 1200 | 1250 | 1300 | 1350 | 1400 | 1450 |
|--------------------------------|------------|------------|------------|------------|------------|------------|
| Bullseye | 5.5 | 5.9 | 6.2 | 6.5 | 6.8 | |
| 231 | 5.4 | 5.8 | 6.1 | 6.4 | 6.7 | |
| Red Dot | 5.3 | 5.6 | 5.9 | 6.2 | 6.5 | |
| Unique | | 6.7 | 7.2 | 7.7 | 8.2 | |
| SR 7625 | 6.8 | 7.1 | 7.4 | 7.7 | 8.0 | 8.3 |
| No. 5 | 7.8 | 8.1 | 8.4 | 8.7 | | |
| HS6 | 8.3 | 8.6 | 8.9 | 9.2 | 9.5 | |
| No. 7 | | 9.8 | 10.2 | 10.6 | 11.1 | |
| Blue Dot | | | | 10.6 | 11.0 | 11.4 |
| <i>Energy/ft. lbs.</i> | <i>304</i> | <i>330</i> | <i>356</i> | <i>384</i> | <i>413</i> | <i>443</i> |

Accuracy Load: HS6 / 9.2 grs.; 1350 fps / 384 ft. lbs.

Hunting Load: Blue Dot / 11.4 grs.; 1450 fps / 443 ft. lbs.

INDICATES MAXIMUM LOAD — USE CAUTION

LOADS LESS THAN MINIMUM CHARGES SHOWN ARE NOT RECOMMENDED.

38 Super, *continued*

.355 115 gr. JHP

Cartridge OAL: 1.180"



.355 115 gr. FMJ

Cartridge OAL: 1.275"



| Powder! / Velocity → | 1100 | 1150 | 1200 | 1250 | 1300 | 1350 |
|------------------------|------------|------------|------------|------------|------------|------------|
| Bullseye | | | 5.1 | 5.5 | 5.9 | |
| 231 | | | 5.5 | 5.9 | 6.3 | |
| PB | 5.2 | 5.5 | 6.0 | 6.4 | 6.6 | |
| Unique | | | 6.8 | 7.4 | | |
| No. 5 | 6.5 | 6.9 | 7.3 | 7.6 | 7.9 | |
| HS6 | | | 8.2 | 8.5 | 8.8 | 9.1 |
| SR 4756 | | | | 8.3 | 8.5 | 8.8 |
| No. 7 | | 9.4 | 9.9 | 10.4 | 10.9 | 11.4 |
| <i>Energy/ft. lbs.</i> | 309 | 338 | 368 | 399 | 431 | 465 |

Accuracy Load: HS6 / 8.8 grs.; 1300 fps / 431 ft. lbs.
 Hunting Load: No. 7 / 11.4 grs.; 1350 fps / 465 ft. lbs.

.355 125 gr. FMJ

Cartridge OAL: 1.275"



| Powder! / Velocity → | 1000 | 1050 | 1100 | 1150 | 1200 | 1250 | 1300 |
|------------------------|------------|------------|------------|------------|------------|------------|------------|
| Bullseye | | 4.6 | 4.9 | 5.2 | | | |
| 231 | | 4.6 | 5.1 | 5.5 | | | |
| Red Dot | 4.3 | 4.6 | 4.9 | 5.2 | | | |
| Unique | | 5.2 | 5.6 | 6.0 | 6.4 | | |
| No. 5 | | 7.2 | 7.5 | 7.7 | 8.0 | | |
| HS6 | 6.6 | 6.9 | 7.2 | 7.5 | 7.7 | | |
| No. 7 | | | | 8.7 | 9.4 | 10.0 | |
| Blue Dot | | | 8.2 | 8.6 | 9.0 | 9.4 | 9.7 |
| HS7 | 8.0 | 8.4 | 8.8 | 9.2 | 9.6 | 10.0 | |
| <i>Energy/ft. lbs.</i> | 278 | 306 | 336 | 367 | 400 | 434 | 469 |

Accuracy Load: No. 5 / 7.7 grs.; 1150 fps / 367 ft. lbs.
 Hunting Load: Blue Dot / 9.7 grs.; 1300 fps / 469 ft. lbs.

INDICATES MAXIMUM LOAD — USE CAUTION
 LOADS LESS THAN MINIMUM CHARGES SHOWN ARE NOT RECOMMENDED.

38 Super, *continued*

.355 130 gr. FMJ
 Cartridge OAL: 1.275"



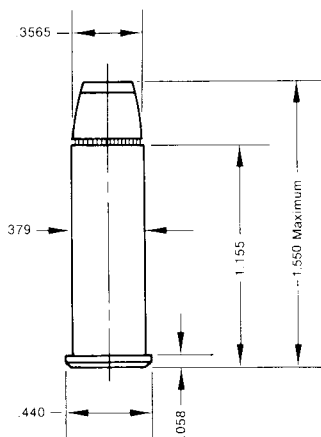
| Powder/Velocity→ | 1000 | 1050 | 1100 | 1150 | 1200 | 1250 | 1300 |
|------------------------|------------|------------|------------|------------|------------|------------|------------|
| Bullseye | 4.6 | 4.9 | 5.2 | | | | |
| 231 | 4.7 | 5.1 | 5.4 | | | | |
| Red Dot | 4.7 | 5.0 | 5.3 | | | | |
| Unique | 5.0 | 5.5 | 6.0 | 6.5 | 6.9 | | |
| No. 5 | | 7.4 | 7.7 | 7.9 | 8.2 | | |
| HS6 | 6.8 | 7.1 | 7.4 | 7.7 | | | |
| No. 7 | | | | 9.0 | 9.7 | 10.3 | |
| Blue Dot | | 8.0 | 8.4 | 8.8 | 9.2 | 9.5 | 9.8 |
| HS7 | 8.3 | 8.8 | 9.2 | 9.6 | 10.0 | | |
| <i>Energy/ft. lbs.</i> | <i>289</i> | <i>318</i> | <i>349</i> | <i>382</i> | <i>416</i> | <i>451</i> | <i>487</i> |

Accuracy Load: Unique / 6.5 grs.; 1150 fps / 382 ft. lbs.

Hunting Load: Blue Dot / 9.5 grs.; 1250 fps / 451 ft. lbs.

INDICATES MAXIMUM LOAD — USE CAUTION
 LOADS LESS THAN MINIMUM CHARGES SHOWN ARE NOT RECOMMENDED.

38 Special



Test Specifications

Firearms used: Smith & Wesson K-38

Bbl. Length: 6" / 1-18 $\frac{3}{4}$ "

Test Components

Cases: Super Vel

Trim-to Length: 1.150"

Primers: CCI-500 & *CCI-550

Sierra Bullets Used

.357 110 gr. JHC

.357 125 gr. JSP

.357 125 gr. JHC

.357 140 gr. JHC

.357 158 gr. JHC

.357 158 gr. JSP

.357 170 gr. JHC

.357 170 gr. FMJ

.357 180 gr. FPJ

Remarks:

The .38 Special is the world's most widely used cartridge for centerfire revolvers and is the chambering used by most of the police departments in this country. Capable of exceptional accuracy, the .38 Special is one of the easiest and simplest of all calibers to reload and offers unique advantages as the starting caliber for the beginning handloader.

The jacketed bullets covered in this section have a diameter of .357". Experience has shown individual revolvers often demonstrate some degree of variation as to permissible charge weights of powder - even in comparison to other revolvers which are nominally identical. For this reason, the upper loads listed here should be approached with caution, after checking performance of intermediate loads in the given gun.

Since this cartridge is used in revolvers, the .38 Special requires a secure grip by the case mouth on the base of the bullet, plus a firm crimp, so that the bullets will not inch forward from the force of recoil. In extreme instances, the final one or two rounds in the cylinder could allow the bullet nose to protrude from the chamber mouth, blocking cylinder rotation as the shooter attempts to rotate the offending chamber into battery. A proper degree of crimp and neck tension will eliminate this potential problem.

The seating stem of your die set should match the point shape of the soft point and JHC bullets to avoid distortion of the soft lead noses - a condition which could be a source of reduced accuracy and expansion. The expanding plug of the set should be no greater than .355" in diameter, with a shoulder to permit a slight flare at the case mouth for easy seating of the bullet base.

It is highly recommended to use only minimum listed loads when the revolver used is of aluminum frame or small frame construction.

38 Special, continued

.357 110 gr. JHC

Cartridge OAL: 1.450"



| Powder ¹ /Velocity [→] | 1000 | 1050 | 1100 | 1150 | 1200 |
|--|------------|------------|------------|------------|------------|
| Bullseye | 4.8 | 5.1 | 5.4 | | |
| 231 | 5.2 | 5.6 | 6.0 | | |
| No. 2 | 5.6 | 5.8 | | | |
| Unique | 5.8 | 6.1 | 6.4 | 7.0 | |
| No. 5 | | 8.6 | 8.8 | 9.0 | 9.3 |
| *HS6 | | 6.7 | 7.3 | 7.9 | 8.5 |
| Herco | | | 6.5 | 7.2 | 7.4 |
| *Blue Dot | 8.8 | 9.2 | 9.6 | 10.0 | 10.4 |
| Energy/ft. lbs. | 244 | 269 | 295 | 323 | 352 |

¹CCI 550 Primers

Accuracy Load: Unique / 6.4 grs.; 1100 fps / 295 ft. lbs.

Hunting Load: *HS6 / 8.5 grs.; 1200 fps / 352 ft. lbs.

.357 125 gr. JSP

Cartridge OAL: 1.450"



.357 125 gr. JHC

Cartridge OAL: 1.450"



| Powder ¹ /Velocity [→] | 900 | 950 | 1000 | 1050 | 1100 | 1150 |
|--|------------|------------|------------|------------|------------|------------|
| Bullseye | 4.6 | 4.9 | 5.1 | | | |
| 231 | 4.8 | 5.3 | 5.8 | | | |
| No. 2 | 5.0 | 5.3 | 5.6 | | | |
| Unique | 5.2 | 5.6 | 6.0 | 6.4 | 6.8 | |
| No. 5 | 6.4 | 7.0 | 7.6 | 8.2 | | |
| *HS6 | 6.6 | 6.9 | 7.2 | 7.5 | 7.8 | 8.1 |
| Herco | | 5.7 | 6.1 | 6.5 | 6.9 | 7.2 |
| *Blue Dot | | 8.4 | 8.9 | 9.4 | | |
| IMR-4227 | 13.5 | 14.2 | | | | |
| Energy/ft. lbs. | 225 | 250 | 278 | 306 | 336 | 367 |

¹CCI 550 Primers

Accuracy Load: Unique / 6.0 grs.; 1000 fps / 278 ft. lbs.

Hunting Load: *HS6 / 8.1 grs.; 1150 fps / 367 ft. lbs.

INDICATES MAXIMUM LOAD — USE CAUTION

LOADS LESS THAN MINIMUM CHARGES SHOWN ARE NOT RECOMMENDED.

38 Special, continued

.357 140 gr. JHC

Cartridge OAL: 1.450"



| Powder ¹ /Velocity→ | 850 | 900 | 950 | 1000 | 1050 |
|--------------------------------|------------|------------|------------|------------|------------|
| Bullseye | 4.5 | 4.8 | 5.1 | | |
| 231 | 4.9 | 5.2 | 5.6 | | |
| No. 2 | 4.6 | 5.0 | 5.4 | | |
| Unique | 5.6 | 5.9 | 6.2 | 6.4 | |
| No. 5 | 7.3 | 7.6 | 7.9 | 8.1 | |
| *HS6 | 6.0 | 6.4 | 6.8 | 7.2 | 7.4 |
| Herco | 6.1 | 6.4 | 6.7 | 6.9 | |
| *Blue Dot | 7.4 | 7.8 | 8.2 | 8.6 | |
| *2400 | | 9.7 | 10.4 | 11.0 | |
| IMR-4227 | | 12.2 | 12.8 | 13.4 | |
| Energy/ft. lbs. | 225 | 252 | 281 | 311 | 343 |

¹CCI 550 Primers

Accuracy Load: No. 5 / 7.9 grs.; 950 fps / 281 ft. lbs.
Hunting Load: *HS6 / 7.4 grs.; 1050 fps / 343 ft. lbs.

.357 158 gr. JHC

Cartridge OAL: 1.450"



.357 158 gr. JSP

Cartridge OAL: 1.450"



| Powder ¹ /Velocity→ | 750 | 800 | 850 | 900 | 950 | 1000 |
|--------------------------------|------------|------------|------------|------------|------------|------------|
| Bullseye | 3.4 | 4.1 | 4.9 | | | |
| 231 | 4.1 | 4.5 | 4.9 | | | |
| No. 2 | 4.2 | 4.5 | 4.8 | | | |
| Unique | 5.0 | 5.7 | 5.9 | 6.1 | | |
| No. 5 | 6.6 | 6.8 | 7.1 | 7.4 | | |
| *HS6 | | 5.6 | 6.0 | 6.4 | 6.8 | 7.2 |
| Herco | 5.8 | 6.1 | 6.4 | 6.6 | 6.8 | |
| *Blue Dot | | 7.4 | 7.8 | 8.2 | | |
| *2400 | | | 8.9 | 9.6 | 10.3 | |
| *296 | | | 10.6 | 11.1 | 11.6 | 12.1 |
| IMR-4227 | | 10.4 | 11.2 | 12.0 | 12.8 | |
| Energy/ft. lbs. | 197 | 224 | 253 | 284 | 317 | 351 |

¹CCI 550 Primers

Accuracy Load: Herco / 6.4 grs.; 850 fps / 253 ft. lbs.
Hunting Load: *HS6 / 7.2 grs.; 1000 fps / 351 ft. lbs.

INDICATES MAXIMUM LOAD — USE CAUTION
 LOADS LESS THAN MINIMUM CHARGES SHOWN ARE NOT RECOMMENDED.

38 Special, continued

.357 170 gr. JHC
Cartridge OAL: 1.450"



.357 170 gr. FMJ
Cartridge OAL: 1.450"



| Powder! / Velocity-- | 750 | 800 | 850 | 900 | 950 |
|------------------------|------------|------------|------------|------------|------------|
| Unique | 4.9 | 5.1 | 5.3 | 5.5 | |
| *HS6 | | 5.5 | 6.0 | 6.5 | 7.0 |
| Herco | 5.4 | 5.6 | 5.8 | 6.0 | 6.2 |
| *No. 7 | 7.8 | 8.1 | 8.4 | 8.7 | 9.0 |
| *Blue Dot | | | 6.9 | 7.3 | 7.7 |
| *2400 | | 9.2 | 9.9 | 10.6 | |
| *296 | | | 10.8 | 11.4 | 11.8 |
| IMR-4227 | | 11.2 | 11.7 | 12.2 | |
| Energy/ft. lbs. | 212 | 242 | 273 | 306 | 341 |

*CCI 550 Primers

Accuracy Load: Herco / 5.8 grs.; 850 fps / 273 ft. lbs.

Hunting Load: *No. 7 / 9.0 grs.; 950 fps / 341 ft. lbs.

.357 180 gr. FPJ
Cartridge OAL: 1.430"



| Powder! / Velocity-- | 700 | 750 | 800 | 850 |
|------------------------|------------|------------|------------|------------|
| Unique | 4.7 | 4.9 | 5.1 | 5.3 |
| Herco | 4.9 | 5.2 | 5.5 | 5.7 |
| *No. 7 | 7.3 | 7.6 | 7.9 | 8.3 |
| *Blue Dot | 6.2 | 6.5 | 6.8 | 7.1 |
| *2400 | 8.0 | 8.4 | 8.8 | 9.1 |
| *296 | | 9.1 | 9.6 | 10.1 |
| IMR-4227 | 9.7 | 10.1 | 10.4 | 10.7 |
| Energy/ft. lbs. | 196 | 225 | 256 | 289 |

*CCI 550 Primers

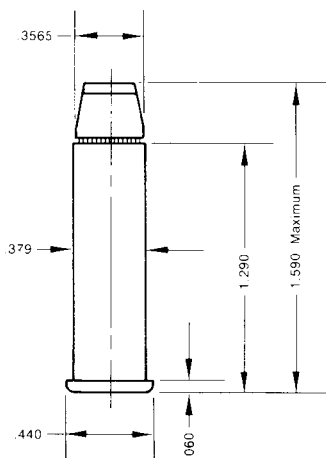
Accuracy Load: *No. 7 / 7.9 grs.; 800 fps / 256 ft. lbs.

Hunting Load: *296 / 10.1 grs.; 850 fps / 289 ft. lbs.

INDICATES MAXIMUM LOAD — USE CAUTION

LOADS LESS THAN MINIMUM CHARGES SHOWN ARE NOT RECOMMENDED.

357 Magnum



Test Specifications

Firearm used: Colt MKIII Trooper

Bbl. Length/Twist: 6" / 1-14"

Test Components

Cases: Speer/DWM

Trim-to Length: 1.285"

Primers: CCI-550

Sierra Bullets Used

.357 110 gr. JHC

.357 125 gr. JSP

.357 125 gr. JHC

.357 140 gr. JHC

.357 158 gr. JHC

.357 158 gr. JSP

.357 170 gr. JHC

.357 170 gr. FMJ

.357 180 gr. FPJ

Remarks:

The .357 Magnum was developed and introduced in the mid-1930's as the world's most powerful handgun cartridge of that time. It was originally offered in the 8 $\frac{3}{8}$ " barrel so as to exploit its high velocity to the greatest degree possible. Today, handguns chambered for the .357 are available with barrels as short as 2 $\frac{1}{2}$ " or as long as the 10" Thompson/Center Contender single-shot. Not surprisingly, the snubnosed .357's deliver a large amount of bark and muzzle blast when fired with full-power loads, and for that reason they are not particularly pleasant to fire.

As is noted in the discussion of the .38 Colt Super, two cartridge types having different pressures and the same dimensions can cause problems if one is fired in a handgun that was not designed to handle it. This consideration prompted the designers of the .357 Magnum — conceived as a high-performance version of the .38 Special — to make the case of the .357 .135" longer than that of the .38, thus preventing .357 ammunition from being fired in guns chambered for the .38 Special. All other dimensions are identical and .38 Special ammunition can be fired in the .357 Magnum, although the reverse is not possible.

Although the .357 case is longer, cylinders are of about the same length for both calibers, which means that the amount of bullet projecting from the case mouth cannot be as great with the .357 as with the .38 Special. When the bullets discussed in this section are seated to the crimping groove, or cannelure, the length of the cartridge will be short enough to provide clearance in any .357 Magnum revolver. Again, a tight case neck grip and a firm crimp are necessary to prevent recoil from shifting the bullets forward.

Maximum loads, as listed here, should be approached with caution and used with appropriate discretion.

357 Magnum, *continued*

.357 110 gr. JHC

Cartridge OAL: 1.585"



| Powder ¹ /Velocity [→] | 1250 | 1300 | 1350 | 1400 | 1450 | 1500 | 1550 |
|--|------------|------------|------------|------------|------------|------------|------------|
| Bullseye | 7.1 | 7.5 | 7.9 | 8.4 | | | |
| 231 | 8.0 | 8.4 | 8.8 | 9.2 | | | |
| No. 2 | 7.5 | 7.9 | 8.3 | 8.6 | | | |
| Unique | 7.5 | 8.4 | 9.3 | 10.0 | 10.6 | | |
| No. 5 | 10.4 | 10.9 | 11.4 | 11.8 | | | |
| Herco | 9.8 | 10.9 | 11.6 | 12.3 | 13.0 | | |
| No. 7 | | | 13.4 | 13.9 | 14.4 | | |
| Blue Dot | | | | 13.5 | 14.5 | 15.4 | |
| No. 9 | | | | 15.9 | 17.5 | 19.1 | |
| 2400 | | | | | 18.2 | 18.7 | 19.3 |
| H110 | | | 18.5 | 18.9 | 19.3 | 19.7 | 20.4 |
| 296 | | | | | 21.0 | 21.7 | 22.4 |
| Energy/ft. lbs. | 382 | 413 | 445 | 479 | 513 | 549 | 587 |

Accuracy Load: Unique / 10.0 grs.; 1400 fps / 479 ft. lbs.

Hunting Load: H110 / 19.7 grs.; 1500 fps / 549 ft. lbs.

.357 125 gr. JSP

Cartridge OAL: 1.585"



.357 125 gr. JHC

Cartridge OAL: 1.585"



| Powder ¹ /Velocity [→] | 1200 | 1250 | 1300 | 1350 | 1400 | 1450 | 1500 |
|--|------------|------------|------------|------------|------------|------------|------------|
| Bullseye | 7.4 | 7.5 | 8.3 | | | | |
| 231 | 8.1 | 8.5 | 8.9 | | | | |
| No. 2 | 7.4 | 7.8 | 8.2 | | | | |
| Unique | | 7.6 | 8.4 | 9.0 | 9.3 | | |
| No. 5 | 10.5 | 11.0 | 11.5 | | | | |
| Herco | 9.6 | 10.8 | 11.5 | | | | |
| No. 7 | | 12.5 | 13.1 | 13.7 | | | |
| Blue Dot | | | 13.2 | 13.8 | 14.4 | 14.9 | |
| No. 9 | | | 15.5 | 16.3 | 17.1 | 17.9 | |
| 2400 | | | 16.2 | 16.9 | 17.8 | 18.5 | 19.0 |
| H110 | | | 17.6 | 18.4 | 19.1 | 19.8 | |
| 296 | | | 18.6 | 19.3 | 20.0 | 20.7 | 21.1 |
| Energy/ft. lbs. | 400 | 434 | 469 | 506 | 544 | 583 | 624 |

Accuracy Load: No. 7 / 13.1 grs.; 1300 fps / 469 ft. lbs.

Hunting Load: 296 / 20.7 grs.; 1450 fps / 583 ft. lbs.

INDICATES MAXIMUM LOAD — USE CAUTION

LOADS LESS THAN MINIMUM CHARGES SHOWN ARE NOT RECOMMENDED.

357 Magnum, *continued*

.357 140 gr. JHC

Cartridge OAL: 1.585"



| Powder ¹ /Velocity [→] | 1150 | 1200 | 1250 | 1300 | 1350 |
|--|------------|------------|------------|------------|------------|
| Bullseye | 7.5 | 7.8 | | | |
| 231 | 8.0 | 8.5 | | | |
| No. 2 | 7.5 | 8.0 | | | |
| Unique | 8.2 | 8.6 | 9.0 | | |
| No. 5 | 10.0 | 10.4 | 10.8 | | |
| Herco | 8.6 | 9.1 | 9.5 | 10.0 | |
| No. 7 | 11.5 | 12.1 | 12.7 | 13.2 | |
| Blue Dot | 11.1 | 11.8 | 12.4 | 13.0 | 13.6 |
| No. 9 | | | 12.8 | 14.5 | 16.2 |
| 2400 | 15.5 | 16.2 | 16.8 | 17.4 | |
| H110 | 17.6 | 18.3 | 18.9 | 19.5 | |
| 296 | | 17.9 | 18.5 | 19.1 | 19.6 |
| <i>Energy/ft. lbs.</i> | <i>411</i> | <i>448</i> | <i>486</i> | <i>525</i> | <i>566</i> |

Accuracy Load: Blue Dot / 12.4 grs.; 1250 fps / 486 ft. lbs.

Hunting Load: 296 / 19.1 grs.; 1300 fps / 525 ft. lbs.

.357 158 gr. JHC

Cartridge OAL: 1.585"



.357 158 gr. JSP

Cartridge OAL: 1.585"



| Powder ¹ /Velocity [→] | 1050 | 1100 | 1150 | 1200 | 1250 |
|--|------------|------------|------------|------------|------------|
| Bullseye | 6.2 | 6.7 | 7.2 | | |
| 231 | 7.0 | 7.4 | 7.7 | | |
| No. 2 | 6.6 | 7.1 | 7.5 | | |
| Unique | 7.7 | 8.2 | | | |
| No. 5 | 8.9 | 9.4 | 9.9 | | |
| Herco | 7.8 | 8.4 | 9.5 | | |
| No. 7 | 10.2 | 10.8 | 11.4 | 12.0 | |
| Blue Dot | | | 11.6 | 12.1 | 12.6 |
| No. 9 | | 12.7 | 13.4 | 14.1 | |
| 2400 | | | | 14.0 | 15.0 |
| H110 | | | 13.3 | 14.8 | 16.3 |
| 296 | | | 15.9 | 16.6 | 17.3 |
| <i>Energy/ft. lbs.</i> | <i>387</i> | <i>424</i> | <i>464</i> | <i>505</i> | <i>548</i> |

Accuracy Load: No. 7 / 11.4 grs.; 1150 fps / 464 ft. lbs.

Hunting Load: H110 / 16.3 grs.; 1250 fps / 548 ft. lbs.

INDICATES MAXIMUM LOAD — USE CAUTION

LOADS LESS THAN MINIMUM CHARGES SHOWN ARE NOT RECOMMENDED.

357 Magnum, *continued*

.357 170 gr. JHC

Cartridge OAL: 1.585"



.357 170 gr. FMJ

Cartridge OAL: 1.585"



| Powder ¹ /Velocity [→] | 850 | 900 | 950 | 1000 | 1050 | 1100 |
|--|------------|------------|------------|------------|------------|------------|
| Unique | 5.8 | 6.1 | 6.4 | 6.7 | 7.0 | |
| No. 5 | 7.3 | 7.8 | 8.3 | 8.7 | 9.1 | |
| Herco | 6.1 | 6.5 | 6.9 | 7.3 | 7.7 | |
| No. 7 | | | 8.8 | 9.6 | 10.4 | 11.2 |
| Blue Dot | | | | | 9.6 | 10.3 |
| No. 9 | | | | 11.0 | 12.0 | 13.0 |
| 2400 | | | | | 13.1 | 13.9 |
| H110 | | | | 13.6 | 14.3 | 14.9 |
| 296 | | | | 14.5 | 15.0 | 15.5 |
| IMR-4227 | | | | 14.5 | 15.1 | 15.6 |
| <i>Energy/ft. lbs.</i> | <i>273</i> | <i>306</i> | <i>341</i> | <i>377</i> | <i>416</i> | <i>457</i> |

Accuracy Load: Herco / 7.3 grs.; 1000 fps / 377 ft. lbs.

Hunting Load: No. 9 / 13.0 grs.; 1100 fps / 457 ft. lbs.

.357 180 gr. FPJ

Cartridge OAL: 1.565"



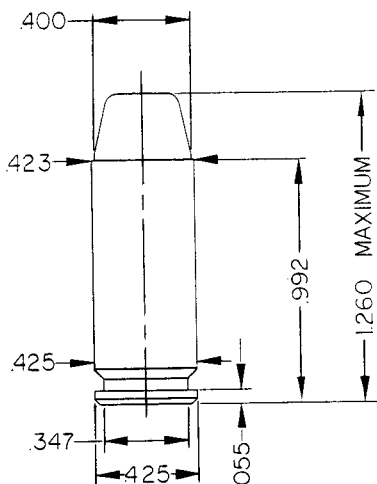
| Powder ¹ /Velocity [→] | 800 | 850 | 900 | 950 | 1000 | 1050 |
|--|------------|------------|------------|------------|------------|------------|
| Unique | 5.2 | 5.6 | 6.0 | 6.3 | 6.6 | |
| No. 5 | 7.1 | 7.5 | 7.9 | 8.3 | 8.7 | |
| Herco | 5.9 | 6.1 | 6.4 | 6.7 | 7.0 | 7.2 |
| No. 7 | | | 9.1 | 9.6 | 10.1 | 10.6 |
| Blue Dot | 7.4 | 7.7 | 8.0 | 8.3 | 8.6 | 8.8 |
| No. 9 | | | 10.8 | 11.4 | 12.0 | 12.6 |
| 2400 | | | | 10.1 | 10.8 | 11.5 |
| H110 | | | 10.6 | 11.4 | 12.1 | 12.8 |
| 296 | | | | 12.0 | 12.7 | 13.4 |
| IMR-4227 | | | | 13.3 | 13.8 | 14.2 |
| <i>Energy/ft. lbs.</i> | <i>256</i> | <i>289</i> | <i>324</i> | <i>361</i> | <i>400</i> | <i>441</i> |

Accuracy Load: Blue Dot / 8.0 grs.; 900 fps / 324 ft. lbs.

Hunting Load: 296 / 13.4 grs.; 1050 fps / 441 ft. lbs.

INDICATES MAXIMUM LOAD — USE CAUTION
LOADS LESS THAN MINIMUM CHARGES SHOWN ARE NOT RECOMMENDED.

10mm Auto



Test Specifications

Firearm used: Colt Delta Elite
Bbl. Length / Twist: 5" / 1-16"

Test Components

Cases: Norma
Trim-to Length: .987"
Primers: CCI-300

Sierra Bullets Used

.400 150 gr. JHP
.400 180 gr. JHP
.400 190 gr. FPJ

Remarks:

The concept for the 10mm Automatic came as a result of much exhortation from noted handgun advocate Jeff Cooper. The 10mm was envisioned to end the long-standing .45 vs 9mm controversy with the 10mm apparently being superior to them both. By 1984, factory ammunition was being produced as well as a fine semi-automatic pistol.

Dornaus & Dixon Enterprises produced the first pistol for the 10mm Automatic, the Bren Ten. The production of the Bren Ten was short-lived and it looked as though the cartridge would be forgotten. Then, in 1987, Colt Firearms introduced a pistol chambered for the 10mm Automatic. This move by Colt gave new life to the cartridge and probably saved it from extinction. Springfield Armory and Smith & Wesson also now manufacture pistols for the 10mm Automatic. With a greater variety of pistols becoming available, many law enforcement agencies are taking a closer look at the potential the cartridge offers.

The first ammunition was available from Norma and is still being made by the Swedish firm. Today, major U.S. ammunition manufacturers all have something to offer in 10mm. With the rapid growth in popularity of the cartridge, more components have become available for the handloader.

When loaded with Sierra's jacketed hollow point or full profile jacket bullets, the 10mm becomes suitable for self defense, combat competition or a hunting cartridge. Power Jacket design gives the JHP bullets both reliable and uniform expansion. Although the 190 grain FPJ is designated as a match bullet, it also has good penetrative capabilities.

For IPSC competition where a major power factor of 175,000 (bullet weight x velocity) is needed, the 10mm allows the competitor to use loads somewhat under maximum levels without exceeding safe pressure limits.

10mm Auto, *continued*

Our Colt Delta Elite functioned and performed well during testing. No. 7 and Blue Dot produced the best accuracy.

.400 150 gr. JHP

Cartridge OAL: 1.250"



| Powder! / Velocity → | 1000 | 1050 | 1100 | 1150 | 1200 | 1250 |
|------------------------|------------|------------|------------|------------|------------|------------|
| Bullseye | 5.7 | 6.0 | 6.3 | | | |
| 231 | 6.4 | 6.7 | 7.1 | | | |
| No. 2 | 5.9 | 6.3 | 6.6 | | | |
| Unique | 7.3 | 7.6 | 7.9 | 8.2 | | |
| SR 4756 | 8.0 | 8.4 | 8.8 | 9.2 | 9.6 | 9.9 |
| No. 5 | 9.0 | 9.3 | 9.6 | 10.0 | | |
| HS6 | 8.7 | 9.1 | 9.5 | 9.9 | 10.4 | 10.8 |
| Blue Dot | 9.9 | 10.3 | 10.7 | 11.1 | 11.6 | 12.0 |
| HS7 | 10.8 | 11.3 | 11.8 | 12.4 | 12.9 | 13.1 |
| No. 7 | 10.6 | 11.1 | 11.6 | 12.1 | 12.6 | 13.0 |
| <i>Energy/ft. lbs.</i> | <i>333</i> | <i>367</i> | <i>403</i> | <i>440</i> | <i>480</i> | <i>520</i> |

Accuracy Load: No. 7 / 12.6 grs.; 1200 fps / 480 ft. lbs.
Hunting Load: Blue Dot / 12.0 grs.; 1250 fps / 520 ft. lbs.

.400 180 gr. JHP

Cartridge OAL: 1.250"



| Powder! / Velocity → | 850 | 900 | 950 | 1000 | 1050 | 1100 |
|------------------------|------------|------------|------------|------------|------------|------------|
| Bullseye | 4.7 | 5.0 | 5.2 | | | |
| 231 | 5.0 | 5.3 | 5.6 | | | |
| No. 2 | 4.8 | 5.2 | 5.6 | 5.9 | | |
| Unique | 5.6 | 5.9 | 6.3 | | | |
| SR 4756 | 6.2 | 6.5 | 6.8 | 7.1 | 7.4 | |
| No. 5 | 7.1 | 7.5 | 7.9 | 8.4 | | |
| HS6 | 7.0 | 7.4 | 7.8 | 8.2 | 8.6 | |
| Blue Dot | 8.2 | 8.6 | 9.0 | 9.4 | 9.8 | 10.1 |
| HS7 | | 9.1 | 9.6 | 10.1 | 10.6 | |
| No. 7 | 8.5 | 9.0 | 9.5 | 10.0 | 10.5 | 11.1 |
| <i>Energy/ft. lbs.</i> | <i>289</i> | <i>324</i> | <i>361</i> | <i>400</i> | <i>441</i> | <i>484</i> |

Accuracy Load: No. 7 / 11.1 grs.; 1100 fps / 484 ft. lbs.
Hunting Load: Blue Dot / 10.1 grs.; 1100 fps / 484 ft. lbs.

INDICATES MAXIMUM LOAD — USE CAUTION
 LOADS LESS THAN MINIMUM CHARGES SHOWN ARE NOT RECOMMENDED.

10mm Auto, *continued*

.400 190 gr. FPJ

Cartridge OAL: 1.250"



| Powder ¹ /Velocity [→] | 800 | 850 | 900 | 950 | 1000 | 1050 |
|--|------------|------------|------------|------------|------------|------------|
| Bullseye | 4.5 | 4.8 | 5.1 | | | |
| 231 | 4.6 | 4.9 | 5.2 | | | |
| No. 2 | 4.6 | 4.9 | 5.2 | 5.4 | | |
| Unique | 5.1 | 5.6 | 6.0 | | | |
| SR 4756 | 5.5 | 6.0 | 6.5 | 7.0 | 7.3 | |
| No. 5 | 6.5 | 7.0 | 7.5 | 8.0 | | |
| HS6 | 7.0 | 7.3 | 7.6 | 7.9 | | |
| Blue Dot | 8.3 | 8.6 | 8.9 | 9.2 | 9.5 | 9.9 |
| HS7 | 8.3 | 8.8 | 9.3 | 9.8 | 10.2 | |
| No. 7 | | 8.6 | 9.0 | 9.4 | 9.8 | 10.3 |
| <i>Energy/ft. lbs.</i> | <i>270</i> | <i>305</i> | <i>342</i> | <i>381</i> | <i>422</i> | <i>465</i> |

Accuracy Load: No. 7 / 9.8 grs.; 1000 fps / 422 ft. lbs.

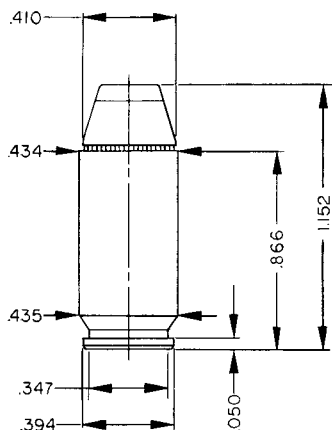
Hunting Load: Blue dot / 9.9 grs.; 1050 fps / 465 ft. lbs.



INDICATES MAXIMUM LOAD — USE CAUTION

LOADS LESS THAN MINIMUM CHARGES SHOWN ARE NOT RECOMMENDED.

.41 Action Express



Test Specifications

Firearm used: Colt Gov't Model
(Conversion)

Bbl. Length / Twist: 5" Bar-Sto 1-16"

Test Components

Cases: Samson (IMI)

Trim-to Length: .861"

Primers: Federal 100

Sierra Bullets Used

.410 170 gr. JHC

.410 210 gr. JHC

.410 220 gr. FPJ

Remarks:

The concept and design of the .41 Action Express was the work of Evan Whildin, Executive Vice President of Action Arms. Also involved with laboratory and development work was Bob Olsen of Olsen Development Lab. The cartridge fires a .410" diameter bullet.

Designed for use in semi-automatic pistols, the cartridge has the distinct feature of rebated case head design. The case rim dimensions are the same as the 9mm Luger.

The test firearm was a Colt Government Model conversion using a Bar-Sto barrel and 10mm Automatic magazine. No feeding or functioning difficulties were encountered with any of the Sierra bullets used.

The .41 AE cartridge is suitable for use in hunting, self-defense, plinking or combat competition. Major power factor is attained easily and recoil is not objectionable. The .41 AE may seem to be following in the footsteps of the earlier 10mm Automatic but is a fine cartridge nonetheless. It has excellent potential in the previously mentioned applications while operating at lower pressure levels than the 10mm Automatic.

The .41 Action Express cartridge headspace on the case mouth. The case mouth should never be crimped into the bullet cannelure. Taper crimping should only be done to remove any remaining case mouth flaring, not to exert more case tension on the bullet.

41 Action Express, *continued*

.410 170 gr. JHC

Cartridge OAL: 1.150"



| Powder↓/Velocity→ | 850 | 900 | 950 | 1000 | 1050 | 1100 | 1150 |
|------------------------|------------|------------|------------|------------|------------|------------|------------|
| 231 | 4.5 | 4.9 | 5.3 | 5.7 | | | |
| 452AA | 4.0 | 4.5 | 5.0 | | | | |
| Unique | 5.4 | 5.7 | 6.0 | 6.3 | 6.6 | 6.9 | 7.2 |
| 473AA | 5.1 | 5.6 | 6.1 | 6.6 | 7.1 | 7.6 | |
| HS6 | 6.6 | 7.0 | 7.4 | 7.8 | 8.2 | 8.6 | |
| Herco | 5.1 | 5.5 | 5.9 | 6.3 | 6.7 | 7.1 | 7.5 |
| 800X | 5.5 | 6.0 | 6.5 | 7.0 | 7.5 | 8.0 | 8.5 |
| No. 7 | 8.0 | 8.5 | 9.0 | 9.5 | 10.0 | 10.5 | 11.0 |
| Blue Dot | 6.8 | 7.3 | 7.8 | 8.4 | 9.0 | 9.5 | |
| <i>Energy/ft. lbs.</i> | 273 | 306 | 341 | 377 | 416 | 457 | 499 |

Accuracy Load: Unique / 6.9 grs.; 1100 fps / 457 ft. lbs.

Hunting Load: No. 7 / 11.0 grs.; 1150 fps / 499 ft. lbs.

.410 210 gr. JHC

Cartridge OAL: 1.150"



| Powder↓/Velocity→ | 700 | 750 | 800 | 850 | 900 | 950 |
|------------------------|------------|------------|------------|------------|------------|------------|
| 231 | 3.9 | 4.2 | 4.5 | 4.8 | | |
| 452AA | 3.7 | 4.2 | 4.7 | 5.2 | | |
| Unique | 4.2 | 4.5 | 4.8 | 5.2 | 5.5 | |
| 473AA | 4.3 | 4.8 | 5.3 | 5.8 | | |
| HS6 | 5.7 | 6.0 | 6.2 | 6.5 | 6.7 | |
| Herco | 4.5 | 4.8 | 5.1 | 5.4 | 5.7 | 6.1 |
| 800X | 4.7 | 5.1 | 5.5 | 5.9 | 6.4 | 6.9 |
| No. 7 | 6.6 | 7.1 | 7.6 | 8.1 | 8.6 | 9.1 |
| Blue Dot | 5.8 | 6.2 | 6.6 | 7.0 | 7.4 | 7.8 |
| <i>Energy/ft. lbs.</i> | 228 | 262 | 298 | 337 | 378 | 421 |

Hunting Load: Herco / 5.7 grs.; 900 fps / 378 ft. lbs.

Hunting Load: No. 7 / 9.1 grs.; 950 fps / 421 ft. lbs.

INDICATES MAXIMUM LOAD — USE CAUTION
LOADS LESS THAN MINIMUM CHARGES SHOWN ARE NOT RECOMMENDED.

41 Action Express, *continued*

.410 220 gr. FPJ

Cartridge OAL: 1.150"



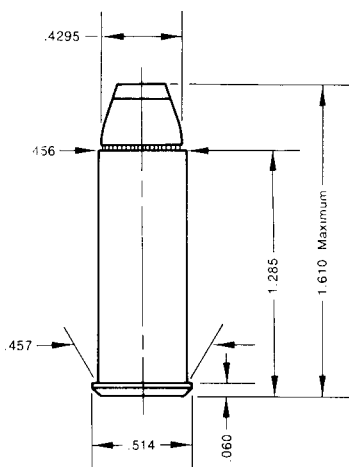
| Powder/Velocity→ | 700 | 750 | 800 | 850 | 900 |
|------------------------|------------|------------|------------|------------|------------|
| 231 | 4.0 | 4.3 | 4.5 | | |
| 452AA | 3.8 | 4.4 | 5.0 | | |
| Unique | 4.0 | 4.4 | 4.8 | 5.2 | |
| 473AA | 4.4 | 4.8 | 5.2 | 5.6 | |
| HS6 | 5.8 | 6.0 | 6.2 | 6.4 | |
| Herco | 4.5 | 4.9 | 5.3 | 5.7 | 6.0 |
| 800X | 4.7 | 5.2 | 5.7 | 6.1 | 6.5 |
| No. 7 | 6.4 | 7.0 | 7.6 | 8.2 | 8.7 |
| Blue Dot | 6.2 | 6.5 | 6.8 | 7.1 | |
| <i>Energy/ft. lbs.</i> | <i>239</i> | <i>275</i> | <i>313</i> | <i>353</i> | <i>396</i> |

Accuracy Load: 800X / 6.1 grs.; 850 fps / 353 ft. lbs.

Hunting Load: No. 7 / 8.7 grs.; 900 fps / 396 ft. lbs.

INDICATES MAXIMUM LOAD — USE CAUTION
LOADS LESS THAN MINIMUM CHARGES SHOWN ARE NOT RECOMMENDED.

44 Magnum



Test Specifications

Firearm used: Ruger Super Blackhawk
Bbl. Length / Twist: 7½" / 1-20"

Test Components

Cases: Federal
Trim-to Length: 1.280"
Primers: CCI-350

Sierra Bullets Used

.4295 180 gr. JHC
.4295 210 gr. JHC
.4295 220 gr. FPJ
.4295 240 gr. JHC
.4295 250 gr. FPJ
.4295 300 gr. JSP

Remarks:

The .44 Magnum may be the single most versatile revolver cartridge ever developed. From a sporting standpoint this would seem to be true. Introduced back in 1956 for use in revolvers, the cartridge is also chambered in single shot pistols, semi-automatic pistols and lever action rifles. It is not a cartridge that is mastered easily. Handgun metallic silhouette competition has provided a training ground which makes the path to proficiency with the .44 Magnum much smoother than it was a half a generation ago.

With bullet weights available from 180 to 300 grains, there is a Sierra bullet applicable to any job for which a .44 Magnum may be reasonably called upon to perform. Sierra's unique jacketed hollow cavity construction is offered in weights of 180, 210 and 240 grains. These bullets are far superior to cast bullets for humane hunting, including the taking of the largest deer. The 180 grain JHC has been a favorite for taking lighter, thin-skinned game ... combining accuracy and rapid expansion.

The first IHMSA International Revolver Championship fell to the Sierra 240 grain JHC. Top silhouette loads are capable of 5-shot, 6 inch groups at 200 meters, sometimes smaller. The first perfect 80 x 80 IHMSA Revolver Championship score was fired by Claude Kinard with the Sierra 220 grain FPJ. It should be noted that while the 220 and 250 grain FPJ bullets were designed for silhouette use, they also perform well as a hunting bullet when more penetration is required on game such as wild boar and bear.

44 Magnum, *continued*

The proliferation of handgun hunting has led Sierra to produce the 300 grain JSP. Although designated JSP, the bullet has a 6% antimony core and its jacket construction is formidable. Larger North American game, as well as some African species, can fall to this bullet in the hands of the skilled handgun hunter.

Accuracy and consistent ignition depend on firm case neck tension on the bullet. This, along with a good crimp, will assure good performance and will also help prevent bullets from pulling out of the case during recoil.

.4295 180 gr. JHC

Cartridge OAL: 1.600"



| Powder:/Velocity→ | 1300 | 1350 | 1400 | 1450 | 1500 | 1550 | 1600 |
|------------------------|------------|------------|------------|------------|------------|------------|-------------|
| Unique | 10.4 | 11.5 | 12.6 | 13.3 | 14.0 | 14.5 | |
| No. 5 | 14.7 | 15.2 | 15.7 | 16.2 | 16.7 | | |
| SR 4756 | 13.2 | 13.6 | 14.0 | 14.5 | 14.8 | | |
| No. 7 | 16.2 | 17.0 | 17.8 | 18.6 | 19.4 | | |
| Blue Dot | | 17.5 | 18.2 | 18.9 | 19.5 | | |
| No. 9 | | 20.6 | 21.6 | 22.6 | 23.6 | 24.6 | 25.6 |
| 2400 | 21.8 | 22.3 | 22.8 | 23.5 | 24.5 | 25.8 | |
| H110 | 24.3 | 25.0 | 25.8 | 26.5 | 27.2 | 28.0 | 29.0 |
| 296 | | | | 28.0 | 29.0 | 30.0 | |
| IMR-4227 | 24.8 | 26.0 | 27.2 | | | | |
| <i>Energy/ft. lbs.</i> | <i>675</i> | <i>728</i> | <i>783</i> | <i>840</i> | <i>899</i> | <i>960</i> | <i>1023</i> |

Accuracy Load: No. 9 / 23.6 grs.; 1500 fps; 899 ft. lbs.

Hunting Load: H110 / 28.0 grs.; 1550 fps; 960 ft. lbs.

INDICATES MAXIMUM LOAD — USE CAUTION

LOADS LESS THAN MINIMUM CHARGES SHOWN ARE NOT RECOMMENDED.

44 Magnum, *continued*

.4295 210 gr. JHC

Cartridge OAL: 1.600"



| Powder/Velocity→ | 1200 | 1250 | 1300 | 1350 | 1400 | 1450 |
|------------------------|------------|------------|------------|------------|------------|------------|
| Unique | 12.0 | 12.4 | 12.8 | 13.2 | | |
| No. 5 | 13.7 | 14.2 | 14.7 | 15.3 | | |
| SR 4756 | 11.6 | 12.7 | 13.8 | 14.8 | | |
| No. 7 | 16.4 | 17.0 | 17.6 | 18.2 | 18.7 | |
| Blue Dot | | 15.0 | 15.9 | 16.8 | 17.6 | |
| No. 9 | | 19.1 | 20.0 | 20.9 | 21.8 | 22.7 |
| 2400 | | | | 22.7 | 23.7 | 24.6 |
| H110 | | | 23.1 | 23.9 | 24.6 | 25.3 |
| 296 | | | | 24.2 | 25.3 | 26.4 |
| IMR-4227 | | 24.3 | 25.2 | 26.1 | | |
| <i>Energy/ft. lbs.</i> | <i>671</i> | <i>728</i> | <i>788</i> | <i>850</i> | <i>914</i> | <i>980</i> |

Accuracy Load: Blue Dot / 17.6 grs.; 1400 fps; 914 ft. lbs.

Hunting Load: No. 9 / 22.7 grs.; 1450 fps; 980 ft. lbs.

.4295 220 gr. FPJ

Cartridge OAL: 1.600"



| Powder/Velocity→ | 1200 | 1250 | 1300 | 1350 | 1400 |
|------------------------|------------|------------|------------|------------|------------|
| Unique | 11.5 | 12.1 | 12.6 | | |
| No. 5 | 14.1 | 14.7 | 15.3 | | |
| SR 4756 | 14.5 | 15.0 | 15.5 | 16.0 | |
| No. 7 | 15.7 | 16.5 | 17.3 | 18.1 | |
| Blue Dot | 15.3 | 16.1 | 16.9 | 17.7 | |
| No. 9 | | 19.5 | 20.6 | 21.7 | 22.8 |
| 2400 | | 20.9 | 22.2 | 23.5 | 24.7 |
| H110 | | 22.7 | 23.6 | 24.5 | 25.4 |
| 296 | | 24.1 | 25.0 | 26.0 | 26.9 |
| IMR-4227 | 23.6 | 24.4 | 25.2 | | |
| <i>Energy/ft. lbs.</i> | <i>703</i> | <i>763</i> | <i>825</i> | <i>890</i> | <i>957</i> |

Accuracy Load: H110 / 24.5 grs.; 1350 fps; 890 ft. lbs.

Hunting Load: 296 / 26.9 grs.; 1400 fps; 957 ft. lbs.

INDICATES MAXIMUM LOAD — USE CAUTION

LOADS LESS THAN MINIMUM CHARGES SHOWN ARE NOT RECOMMENDED.

44 Magnum, continued

.4295 240 gr. JHC

Cartridge OAL: 1.600"



| Powder ¹ /Velocity→ | 1100 | 1150 | 1200 | 1250 | 1300 | 1350 | 1400 |
|--------------------------------|------------|------------|------------|------------|------------|------------|-------------|
| Unique | 10.0 | 10.8 | 11.6 | 12.4 | | | |
| No. 5 | 12.7 | 13.2 | 13.7 | | | | |
| SR 4756 | | 12.0 | 13.1 | 14.2 | | | |
| No. 7 | 14.3 | 15.2 | 16.1 | 17.0 | | | |
| Blue Dot | | 14.8 | 15.5 | 16.2 | 16.9 | | |
| No. 9 | | 17.5 | 18.5 | 19.5 | 20.5 | 21.4 | |
| 2400 | | | | 19.5 | 20.5 | 21.3 | |
| H110 | | | 21.1 | 22.0 | 22.7 | 23.4 | 24.2 |
| 296 | | | 21.2 | 22.0 | 22.9 | 23.8 | 24.7 |
| IMR-4227 | | | 22.0 | 22.7 | | | |
| <i>Energy/ft. lbs.</i> | <i>645</i> | <i>705</i> | <i>767</i> | <i>833</i> | <i>900</i> | <i>971</i> | <i>1044</i> |

Accuracy Load: 296 / 22.9 grs.; 1300 fps; 900 ft. lbs.

Hunting Load: 296 / 24.7 grs.; 1400 fps; 1044 ft. lbs.

.4295 250 gr. FPJ

Cartridge OAL: 1.600"



| Powder ¹ /Velocity→ | 1150 | 1200 | 1250 | 1300 |
|--------------------------------|------------|------------|------------|------------|
| No. 7 | 15.7 | 16.4 | | |
| Blue Dot | 14.7 | 15.6 | 16.5 | |
| No. 9 | 18.2 | 18.8 | 19.4 | |
| 2400 | 19.5 | 20.5 | 21.4 | |
| H110 | 22.0 | 22.8 | 23.6 | 24.4 |
| 296 | 21.1 | 22.1 | 23.1 | 24.1 |
| IMR-4227 | 21.7 | 22.7 | | |
| <i>Energy/ft. lbs.</i> | <i>734</i> | <i>799</i> | <i>867</i> | <i>938</i> |

Accuracy Load: No. 9 / 18.8 grs.; 1200 fps; 799 ft. lbs.

Hunting Load: 296 / 24.1 grs.; 1300 fps; 938 ft. lbs.

INDICATES MAXIMUM LOAD — USE CAUTION
LOADS LESS THAN MINIMUM CHARGES SHOWN ARE NOT RECOMMENDED.

44 Magnum, *continued*

.4295 300 gr. JSP
Cartridge OAL: 1.735"



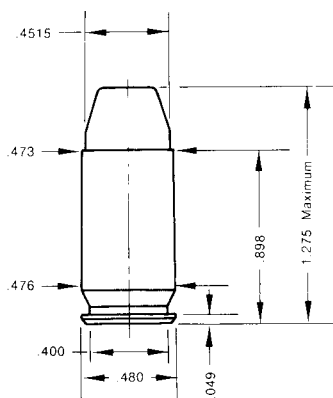
| Powder! / Velocity→ | 900 | 950 | 1000 | 1050 | 1100 |
|------------------------|------------|------------|------------|------------|------------|
| No. 7 | 14.0 | 14.6 | 15.2 | | |
| Blue Dot | 13.4 | 14.0 | 14.6 | | |
| No. 9 | 15.5 | 16.3 | 17.1 | 17.9 | 18.7 |
| 2400 | 16.7 | 17.5 | 18.3 | 19.1 | |
| H110 | 18.6 | 19.4 | 20.2 | 21.0 | 21.8 |
| 296 | 18.4 | 19.2 | 20.0 | 20.8 | 21.6 |
| 680 | | 19.5 | 20.5 | 21.5 | 22.5 |
| <i>Energy/ft. lbs.</i> | <i>539</i> | <i>601</i> | <i>665</i> | <i>734</i> | <i>806</i> |

Accuracy Load: No. 9 / 17.9 grs.; 1050 fps; 734 ft. lbs.

Hunting Load: 296 / 21.6 grs.; 1100 fps; 806 ft. lbs.

INDICATES MAXIMUM LOAD — USE CAUTION
LOADS LESS THAN MINIMUM CHARGES SHOWN ARE NOT RECOMMENDED.

45 Auto (ACP)



Test Specifications

Firearm used: Colt M1911A1 Military
Bbl. Length / Twist: 5" / 1-16"

Test Components

Cases: Remington
Trim-to Length: .893"
Primers: CCI-300

Sierra Bullets Used

.4515 185 gr. JHP
.4515 185 gr. FPJ
.4515 200 gr. FPJ
.4515 230 gr. FMJ
.4515 240 gr. JHC

Remarks:

The .45 Automatic Colt Pistol Cartridge was adopted by the U.S. Government nearly eighty years ago for use in military handguns. Availability of service arms, ammunition and empty cases has enhanced its popularity with civilian shooters, aided to no small extent by the remarkable accuracy which this stubby cartridge is capable of delivering in handguns which have been worked over or "accurized". The .45 ACP has been adopted by other governments and an increasing number of police departments.

The .45 ACP case is a true rimless design and, when chambered, the case mouth registers against a ledge at the front of the chamber rather than by a rim or body taper. For this reason, the case mouth should not be crimped against the bullet excessively, or it might drop too deeply into the chamber and cause a misfire. At the same time, any bellling of the case mouth, which may have been made to facilitate starting the bullet base into the case, must be turned back in — that is, made straight — so that the resulting load will feed easily into the chamber.

As with other autoloading calibers, a tight grip of the case mouth upon the bullet base is necessary to keep the bullet from being forced back into the case. Insufficient neck tension cannot be corrected by crimping and must be controlled by matching case neck thickness with dimensions of the reloading dies and, in particular, the diameter of the expanding plug.

45 Auto (ACP), *continued*

.4515 185 gr. JHP

Cartridge OAL: 1.212"



.4515 185 gr. FPJ

Cartridge OAL: 1.155"



| Powder/ <i>Velocity</i> → | 750 | 800 | 850 | 900 | 950 | 1000 |
|---------------------------|------------|------------|------------|------------|------------|------------|
| Bullseye | 4.2 | 4.6 | 4.9 | 5.2 | 5.6 | |
| 231 | 5.1 | 5.4 | 5.7 | 6.0 | 6.3 | |
| 452AA | 4.4 | 4.7 | 5.0 | | | |
| No. 2 | 5.0 | 5.4 | | | | |
| 700X | 4.5 | 4.7 | 5.0 | 5.5 | 6.0 | |
| Green Dot | 4.9 | 5.6 | 6.0 | 6.5 | | |
| PB | | 5.9 | 6.2 | 6.6 | | |
| Unique | 5.7 | 6.1 | 6.5 | 6.9 | 7.3 | 7.7 |
| 473AA | 5.9 | 6.3 | 6.7 | 7.1 | | |
| No. 5 | | 8.3 | 8.8 | 9.3 | 9.8 | 10.3 |
| Herco | 6.8 | 7.1 | 7.4 | 7.7 | 8.0 | 8.3 |
| <i>Energy/ft. lbs.</i> | 231 | 263 | 297 | 333 | 371 | 411 |

Accuracy Load: 231 / 6.0 grs.; 900 fps / 333 ft. lbs.

Hunting Load: Unique / 7.7 grs.; 1000 fps / 411 ft. lbs.

.4515 200 gr. FPJ

Cartridge OAL: 1.155"



| Powder/ <i>Velocity</i> → | 700 | 750 | 800 | 850 | 900 | 950 |
|---------------------------|------------|------------|------------|------------|------------|------------|
| Bullseye | 4.5 | 5.0 | 5.4 | 5.8 | | |
| 231 | 5.0 | 5.4 | 5.8 | 6.1 | 6.4 | |
| 452AA | 4.0 | 4.4 | 4.8 | 5.2 | | |
| No. 2 | 4.1 | 4.5 | 4.9 | | | |
| Red Dot | 4.7 | 5.1 | 5.4 | 5.7 | | |
| 700X | 4.3 | 4.6 | 4.9 | 5.2 | | |
| Green Dot | 4.8 | 5.2 | 5.6 | 5.9 | 6.2 | |
| Unique | 5.2 | 5.6 | 6.1 | 6.6 | 7.0 | 7.4 |
| 473AA | 5.4 | 5.9 | 6.4 | 7.0 | | |
| SR 7625 | 5.9 | 6.2 | 6.5 | 6.8 | | |
| No. 5 | 8.0 | 8.3 | 8.6 | 8.9 | 9.2 | 9.5 |
| Herco | 6.5 | 6.9 | 7.2 | 7.5 | 7.8 | |
| SR 4756 | 7.1 | 7.5 | 7.8 | 8.1 | | |
| Blue Dot | 8.3 | 8.9 | 9.5 | 10.1 | 10.7 | |
| <i>Energy/ft. lbs.</i> | 218 | 250 | 284 | 321 | 360 | 401 |

Accuracy Load: 231 / 6.1 grs.; 850 fps / 321 ft. lbs.

Hunting Load: No. 5 / 9.5 grs.; 950 fps / 401 ft. lbs.

INDICATES MAXIMUM LOAD — USE CAUTION

LOADS LESS THAN MINIMUM CHARGES SHOWN ARE NOT RECOMMENDED.

45 Auto (ACP), *continued*

.4515 230 gr. FMJ

Cartridge OAL: 1.270"



| Powder/Velocity→ | 700 | 750 | 800 | 850 | 900 |
|------------------------|------------|------------|------------|------------|------------|
| Bullseye | 4.0 | 4.3 | 4.6 | 4.9 | 5.2 |
| 231 | | 4.9 | 5.3 | 5.7 | |
| 452AA | 4.1 | 4.8 | 5.4 | | |
| No. 2 | 4.8 | 5.0 | | | |
| Red Dot | 4.4 | 4.8 | 5.2 | 5.5 | |
| 700X | 3.9 | 4.3 | 4.7 | 5.0 | |
| Green Dot | 4.9 | 5.3 | 5.7 | 6.1 | |
| PB | 4.8 | 5.1 | 5.4 | 5.7 | |
| Unique | 5.1 | 5.6 | 6.0 | 6.4 | 6.8 |
| 473AA | 5.5 | 6.0 | 6.4 | | |
| SR 7625 | 5.2 | 5.5 | 5.8 | 6.0 | 6.2 |
| No. 5 | 7.6 | 8.1 | 8.6 | 9.0 | |
| Herco | 5.7 | 6.2 | 6.6 | 7.0 | 7.4 |
| SR 4756 | 5.8 | 6.3 | 6.7 | 7.1 | 7.5 |
| <i>Energy/ft. lbs.</i> | <i>250</i> | <i>287</i> | <i>327</i> | <i>369</i> | <i>414</i> |

Accuracy Load: Bullseye / 4.9 grs.; 850 fps / 369 ft. lbs.

Hunting Load: Unique / 6.8 grs.; 900 fps / 414 ft. lbs.

.4515 240 gr. JHC

Cartridge OAL: 1.185"



| Powder/Velocity→ | 700 | 750 | 800 | 850 | 900 |
|------------------------|------------|------------|------------|------------|------------|
| Bullseye | 4.2 | 4.6 | 5.0 | 5.4 | |
| 231 | 4.8 | 5.1 | 5.4 | | |
| Red Dot | 4.3 | 4.7 | 5.1 | 5.5 | |
| Green Dot | 4.8 | 5.2 | 5.6 | 6.0 | |
| Unique | 5.3 | 5.7 | 6.1 | 6.4 | 6.7 |
| 473AA | 5.4 | 5.8 | 6.2 | | |
| No. 5 | 6.6 | 7.0 | 7.4 | 7.8 | |
| Herco | 5.7 | 6.1 | 6.5 | 6.9 | 7.3 |
| Blue Dot | | | 8.7 | 9.1 | 9.5 |
| <i>Energy/ft. lbs.</i> | <i>261</i> | <i>300</i> | <i>341</i> | <i>385</i> | <i>432</i> |

Accuracy Load: Unique / 6.1 grs.; 800 fps / 341 ft. lbs.

Hunting Load: Herco / 7.3 grs.; 900 fps / 432 ft. lbs.

INDICATES MAXIMUM LOAD — USE CAUTION

LOADS LESS THAN MINIMUM CHARGES SHOWN ARE NOT RECOMMENDED.